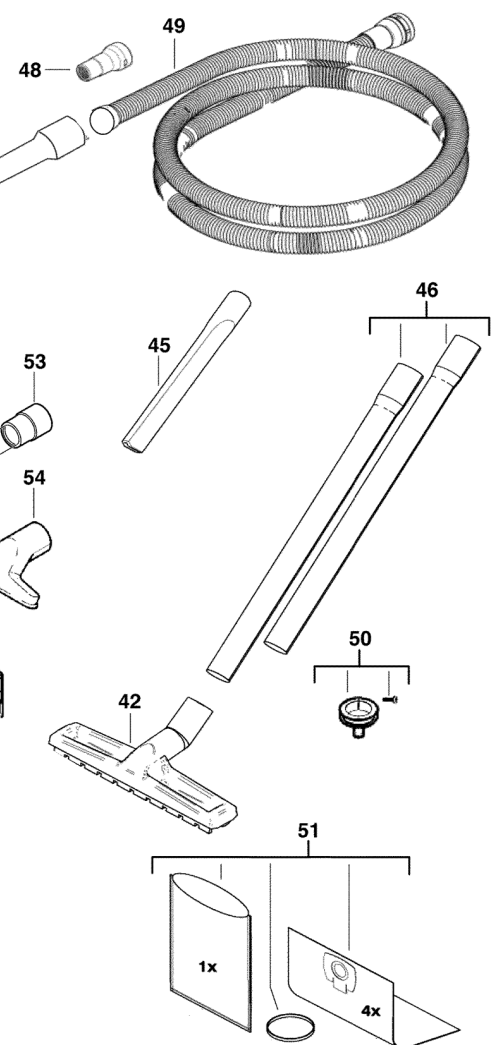
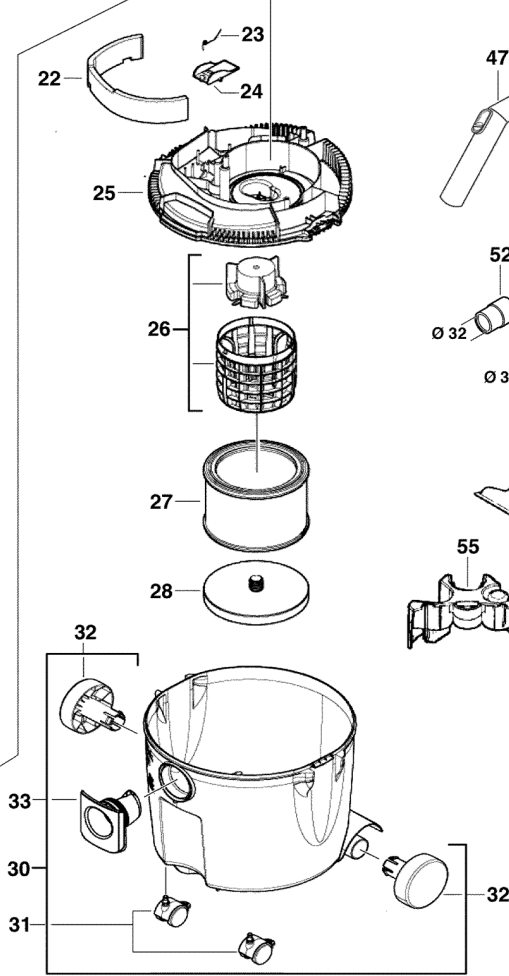
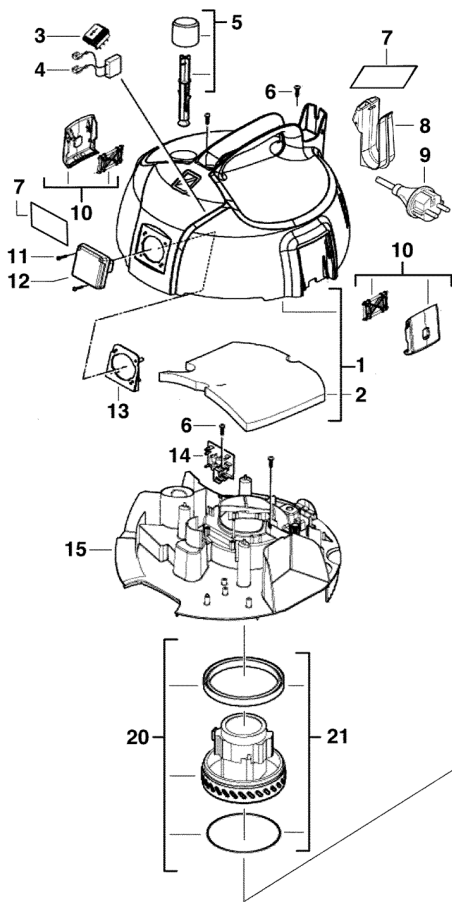


WET-DRY CLEANER

4935411880 - AP250ECP - 4000411881



Position	Quantity	Description	Part number	EAN
0001	1	LID	4931416245	4002395796304
0002	1	DAMPING ELEMENT	4931416246	4002395796311
0003	1	SWITCH	4931416247	4002395796328
0004	1	CAPACITOR	4931416248	4002395796335
0005	1	FILTER	4931416249	4002395796342
0006	1	BOLT SET	4931416296	4002395797196
0007	1	RATING PLATE	4931416251	4002395796366
0008	1	PLIERS	4931416254	4002395796397
0009	1	CONNECTION CABLE	4931416255	4002395796403
0010	2	SET	4931416258	4002395796434
0011	1	BOLT SET	4931416295	4002395797189
0012	1	WALL SOCKET	4931416260	4002395796458
0013	1	PLUG SOCKET	4931416263	4002395796489
0014	1	ELECTRONIC	4931416264	4002395796496
0015	1	LATCH PLATE	4931416265	4002395796502
0020	1	MOTOR ASSEMBLY	4931416266	4002395796519
0021	1	MOTOR PLATE	4931416269	4002395796540
0022	1	DAMPING ELEMENT	4931416270	4002395796557
0023	1	SPRING ELEMENT	4931416271	4002395796564
0024	1	COVER	4931416324	4002395797875
0025	1	PLATE	4931416273	4002395796588
0026	1	FILTER HOLDER	4931416274	4002395796595
0028	1	FILTER HOLDER	4931416275	4002395797004
0030	1	ACCEPTANCE	4931416276	4002395797011
0031	2	WHEEL SET	4931416277	4002395797028
0032	2	WHEEL SET	4931416278	4002395797035
0033	1	SET	4931416279	4002395797042
0045	1	NOZZLE	4931416284	4002395797097
0046	1	SUCTION PIPE	4931416285	4002395797103
0047	1	SUCTION CONNECTION	4931416286	4002395797110
0048	1	ADAPTER	4931416287	4002395797127
0050	1	HOLDER	4931411889	4002395831043
0052	1	MUFF	4931416058	4002395825967
0053	1	MUFF	4931416059	4002395826599
0054	1	NOZZLE	4931416283	4002395797080
0055	1	ACCEPTANCE	4931411888	4002395831036
0027	1	FILTER CARTRIDGE Filter Cartdge P1AM	4932352303	4002395369621
0042	1	ALL-PURPOSE NOZZLE CLEAN LINE P1 A/M	4932276046	4002395303236
0049	1	SUCTION HOSE hose 3.5m P1AM	4932352312	4002395369713
0051	1	FILTER (CLOTH) Filter Bag 5 pc P5AM	4932352306	4002395369652